

**K**  
**KAMAX**



**K20**

## PRODUCT DETAILS

**FEEL THE RUSH, OWN THE FREEDOM!  
EVERY WHEELIE PULSES WITH PURE  
ADRENALINE – THAT'S PASSION.**

**FRONT AND REAR  
SHOCK ABSORPTION**



**MUFFLER**



**FUEL TANK 8.5L**



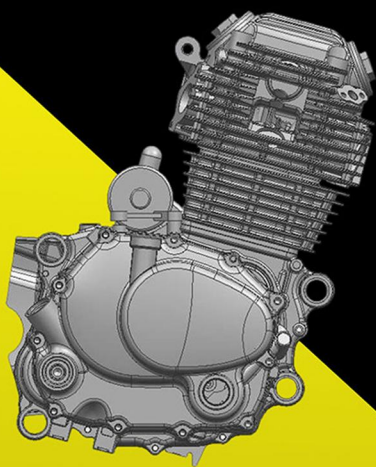
**DIGITAL INSTRUMENT**



**PRODUCT DETAILS**

# ENGINE

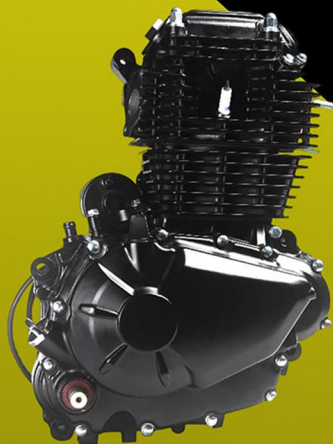
## CB250-F 172FMM



<b>Model:</b>	CB250-F 172FMM
<b>Type:</b>	Single-cylinder, 4-stroke air-cooled, SOHC
<b>Total displacement:</b>	249.9 cc
<b>Starting method:</b>	Electric / kick starter
<b>Maximum Power:</b>	14/8500 (kw/rpm)
<b>Maximum Torque:</b>	18/6500 (N.m/rpm)
<b>Bore x Stroke:</b>	72 x 61.4 mm
<b>Gear:</b>	International 5-speed

# PR300

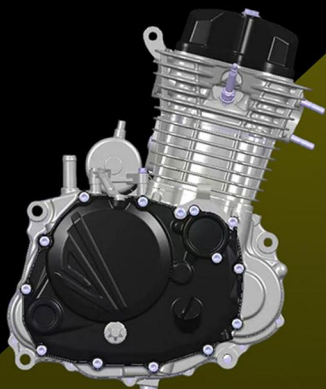
## 175FMN



<b>Model:</b>	CB300 175FMN
<b>Type:</b>	Single-cylinder 4-stroke, air-cooled
<b>Total displacement:</b>	271.3 cc
<b>Starting method:</b>	Electric / kick starter
<b>Maximum Power:</b>	16/8500 (kw/rpm)
<b>Maximum Torque:</b>	22/6500 (N.m/rpm)
<b>Bore x Stroke:</b>	75×61.4mm
<b>Gear:</b>	International 5-speed

# YB300H

## 176 FMM



<b>Model:</b>	YB300H 176 FMM
<b>Type:</b>	Single-cylinder, 4-stroke air-cooled SOHC
<b>Total displacement:</b>	285.8 cc
<b>Starting method:</b>	5-speed electric / kick starter / 6-speed electric start
<b>Maximum Power:</b>	18/8000 (kw/rpm)
<b>Maximum Torque:</b>	23/6000 (N.m/rpm)
<b>Bore x Stroke:</b>	76×63 mm
<b>Gear:</b>	International 5/6-speed

# NB300

## 174MM



<b>Model:</b>	NB300 174 MM
<b>Type:</b>	Single-cylinder, 4-stroke air-cooled SOHC
<b>Total displacement:</b>	271.3 cc
<b>Starting method:</b>	Electric starter
<b>Maximum Power:</b>	16/8500 (kw/rpm)
<b>Maximum Torque:</b>	22/6000 (N.m/rpm)
<b>Bore x Stroke:</b>	75×61.4 mm
<b>Gear:</b>	International 5/6-speed



**EVERY LEAP DEFIES GRAVITY'S GRIP  
THAT'S FREEDOM. UNLEASH THE THRILL.  
BREAK THE LIMITS. RIDE BEYOND BOUNDARIES.**

# K20



**CHAIN / SPROCKET**



**STEERING COLUMN**

# **FRONT AND REAR SHOCK ABSORPTION**

41MM SUSPENSION FORKS -  
TUNED FOR COMFORT OVER AGGRESSION



## **FRONT AND REAR DISC BRAKES FOR CONFIDENT STOPPING POWER**



## **HIGH GROUND CLEARANCE FOR SUPERIOR OFF-ROAD CAPABILITY**

### **SEAT**

Low Seat Height for Easy  
Handling and Beginner Comfort



## DIGITAL INSTRUMENT

Digital Dashboard with  
Gear Indicator



## MUFFLER

Compact Body for  
Agile and Responsive Control



PRODUCT DETAILS

OFF-ROAD STYLING, ON-ROAD PRICING

# K20



## **FUEL TANK 8.5L**



## **CRADLE**



# REAR SWINGARM



# **STEERING COLUMN**



# **LED HEADLIGHT**



**PRODUCT DETAILS**

**HIGH GROUND CLEARANCE FOR  
SUPERIOR OFF-ROAD CAPABILITY**



**DIRT  
BIKE**



## **MOTORCYCLE CONFIGURATION**

---

<b>L x W x H:</b>	2165mmx805mmx1225mm
<b>Seat Height:</b>	910mm
<b>Net weight:</b>	108 kg
<b>Maximum speed:</b>	90 km/h
<b>Fuel tank capacity:</b>	8.5 liters
<b>Fuel consumption:</b>	3.5 l/100 km
<b>Tire specifications:</b>	Front 80/100-21, Rear 110/100-18
<b>Wheelbase:</b>	1490mm
<b>Ground Clearance:</b>	320mm
<b>Maximum Load Capacity:</b>	134kg
<b>Maximum Slope:</b>	≥ 15°
<b>Fuel Type:</b>	Unleaded Gasoline
<b>Battery Specification:</b>	12V5A Maintenance-Free
<b>Container Loading Quantity:</b>	40 HQ/ 105pcs/container



[www.kamaxgroup.com](http://www.kamaxgroup.com)